



High Definition



Seamless Splicing



Long Lifespan



Good Flatness



Good Heat Dissipation



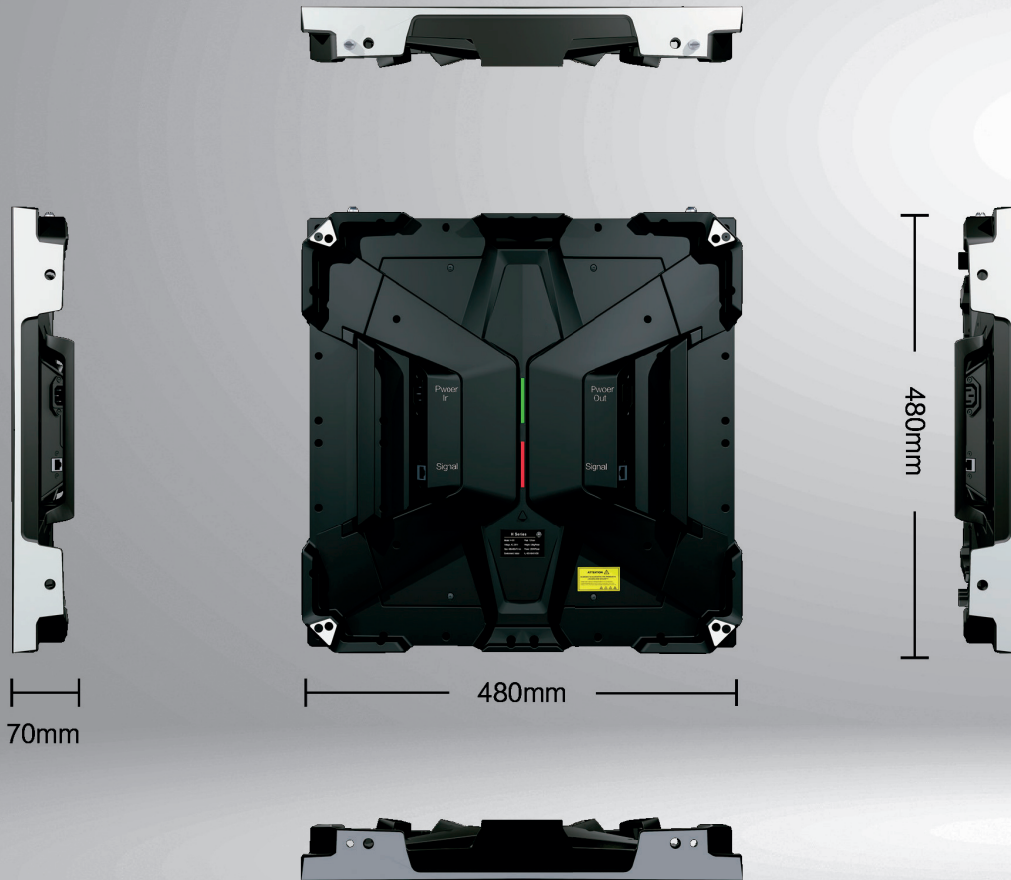
Wide Viewing Angle



High Grey Level And Refresh Rate



Front Maintenance

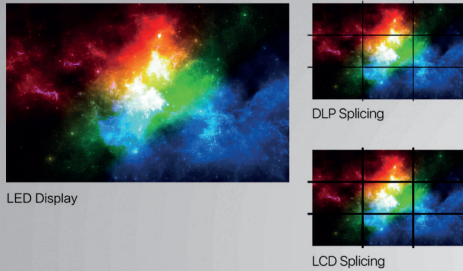


Product	HP - 181
Pixel Pitch	1.81 mm
Cabinet Resolution	248x248 px
Cabinet Dimension	480x480x65 mm
Cabinet Weight	6.7 Kg
Brightness Level	600 nit
Refresh Rate	≥2000 Hz
Gray Scale	14 bits
IP Rating (Front/Rear)	IP40/IP21
Max/Avg Power Consumption	540/180 W/m ²
Curve	N/A

Features

HD Seamless Display

HD seamless display, enjoy the big, complete display effect.



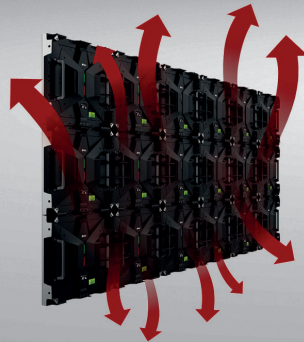
Response In Nanoseconds

Frame changing in nanoseconds, fast dynamic display without ghosting and tailing.



Die Cast Aluminum Cabinet

Die cast aluminum cabinet, special heat exhaustion design, ensure stable and safety performance.



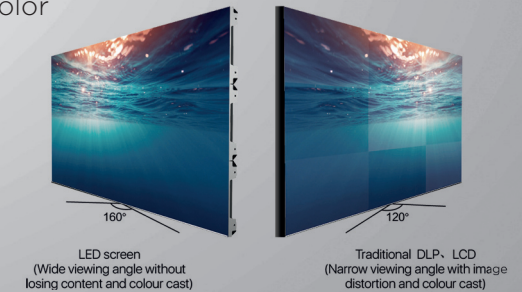
High Grey Level And High Refresh Rate, Perfect Display

Low brightness with high grey level and high refresh rate, stable dynamic display effect, no ripple, no flicker, the edge of the image is clear, and the visual experience is more comfortable.



Extra Wide Viewing Angle

Extra wide viewing angle, no blind angle and color cast.



Easy Installation And Maintenance

Easy installation and maintenance, support module front maintenance, multiple installation option like staking, bracket mounting, etc.

